

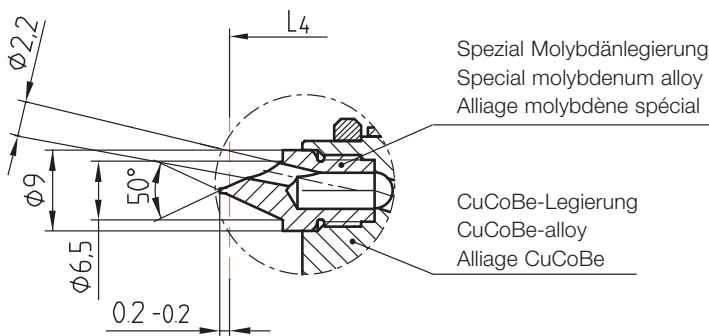
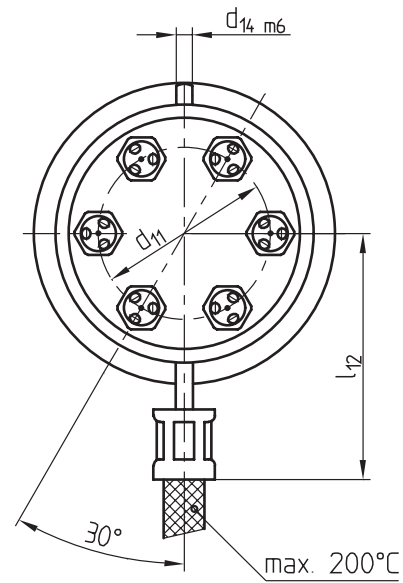
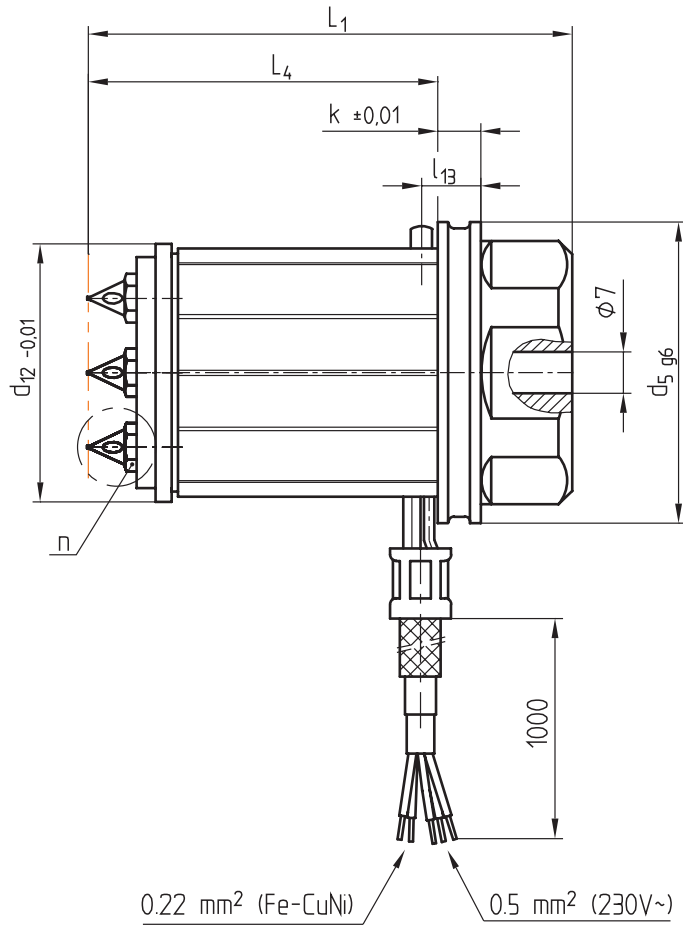
Z 10420/6/...

230 V~

⎯+ = Fe-CuNi



► Info



max. °C	Watt	d ₅	d ₁₂	d ₁₄	k	l ₁₂	l ₁₃	L ₄	n	d ₁₁	L ₁	Nr./No.
280	850	56	48	4	8	53	11	65	6	32	90	Z 10420/6/32x90
	1000	67	56			56,5		70		40	95	40x95

This is trial version
www.adultpdf.com